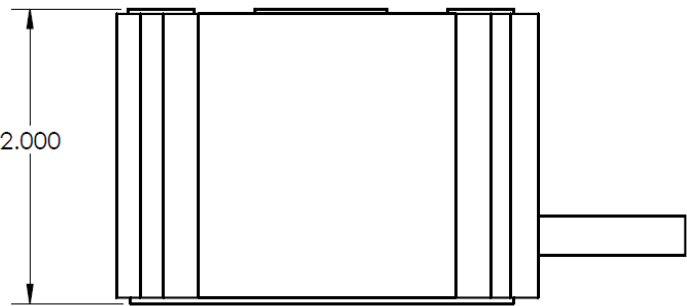
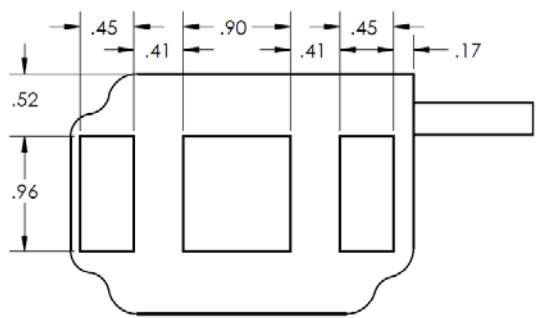
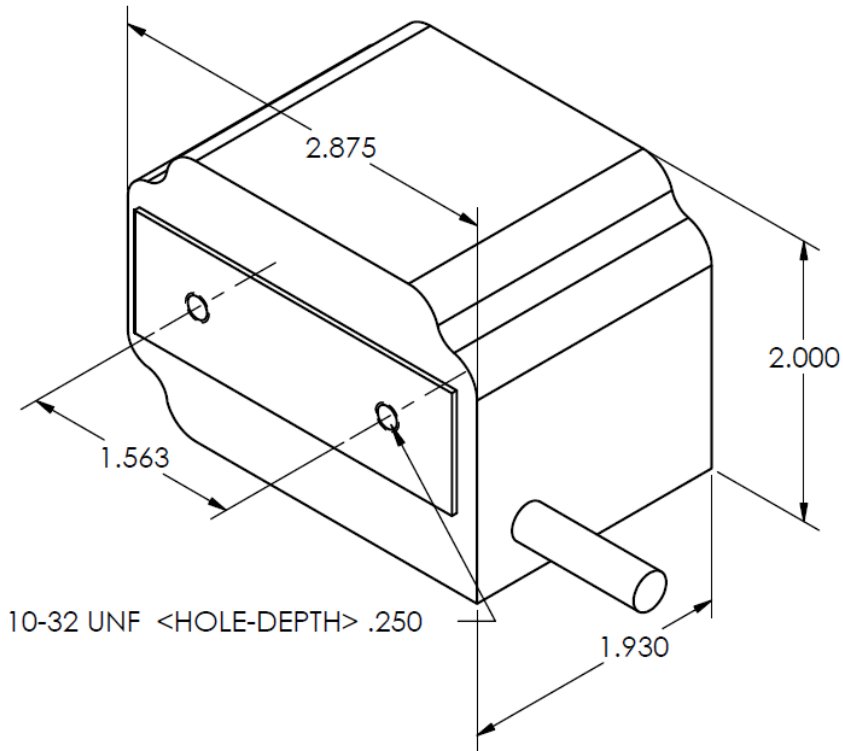




CONTROL PRODUCTS FOR INDUSTRY

Part Number 006-042-0077

Description: Standard Inline Coil, 240 VAC, with 6' yellow cord
Input voltage: 240 VAC Recommended Max Current: 0.33 Arms
Typical Resistance L-N: 82 Ω Country of Origin: USA
Product Weight: 3 lbs. Certifications: UL/cUL
Temperature Limit as measured externally: 180 ° F



- All dimensions in Inches unless otherwise noted