



RODIX, Inc.

Toll Free (800) 562-1868, Fax (815) 316-4701
E-mail us today at custserve@rodix.com
www.rodix.com

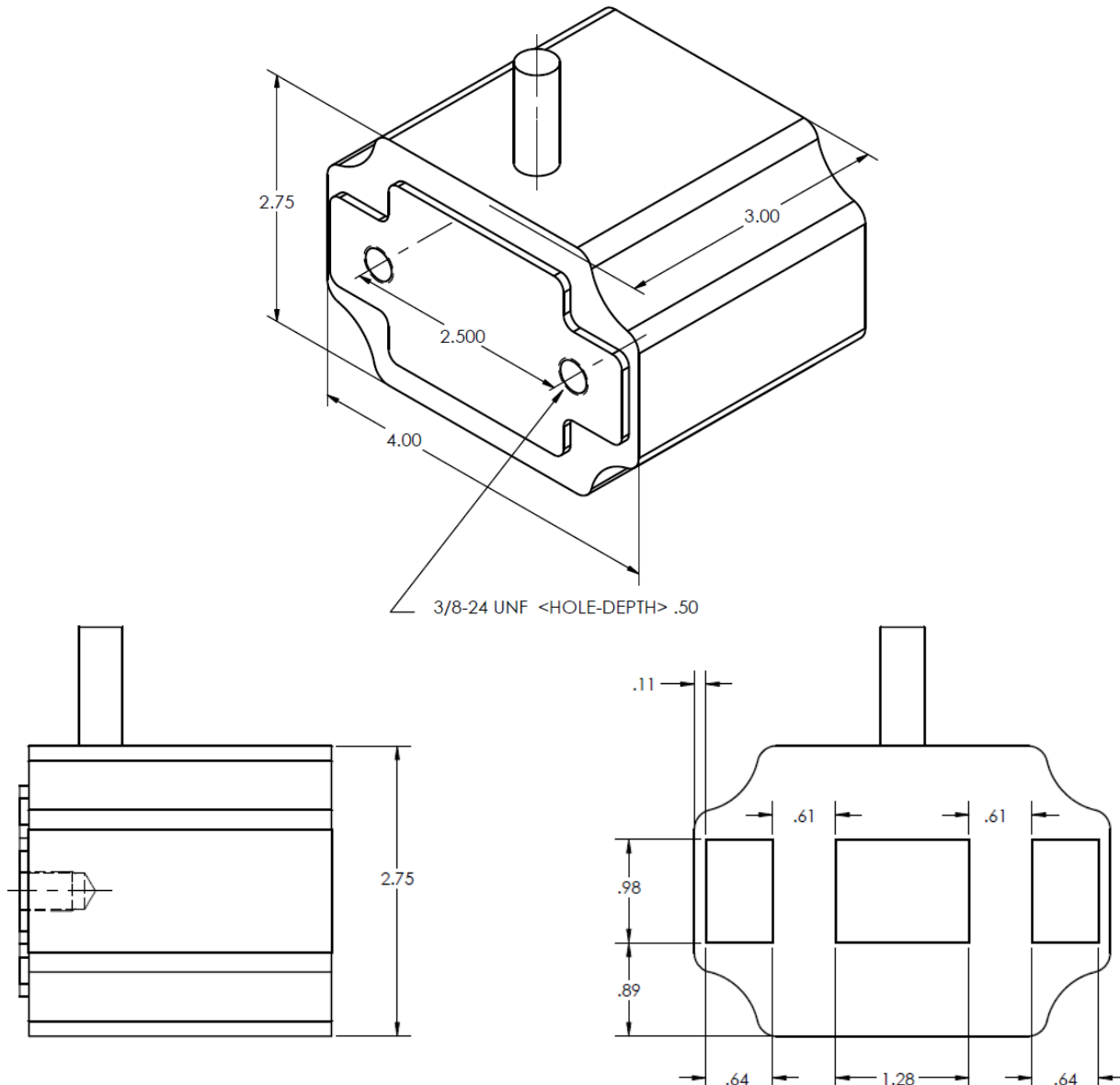
Part Number: 006-042-0080

Description: Coil, Large (12" & 15" Drives), 120V, with 5' gray cord

Specifications

Input Voltage:	120 VAC	Product Weight:	5 lbs
Recommended Max Current:	2.4 Amps	Country of Origin:	USA
Typical Resistance (L-N):	2.8 Ω	Certifications:	UL/cUL
Mounting Hole Tap Size:	3/8-24 UNF	Max Temperature:	180 °F
			(as measured externally)

Dimensional Drawing for P/N 006-042-0080



All dimensions are shown in inches unless otherwise specified