



RODIX, Inc.

Toll Free (800) 562-1868, Fax (815) 316-4701
E-mail us today at custserve@rodix.com
www.rodix.com

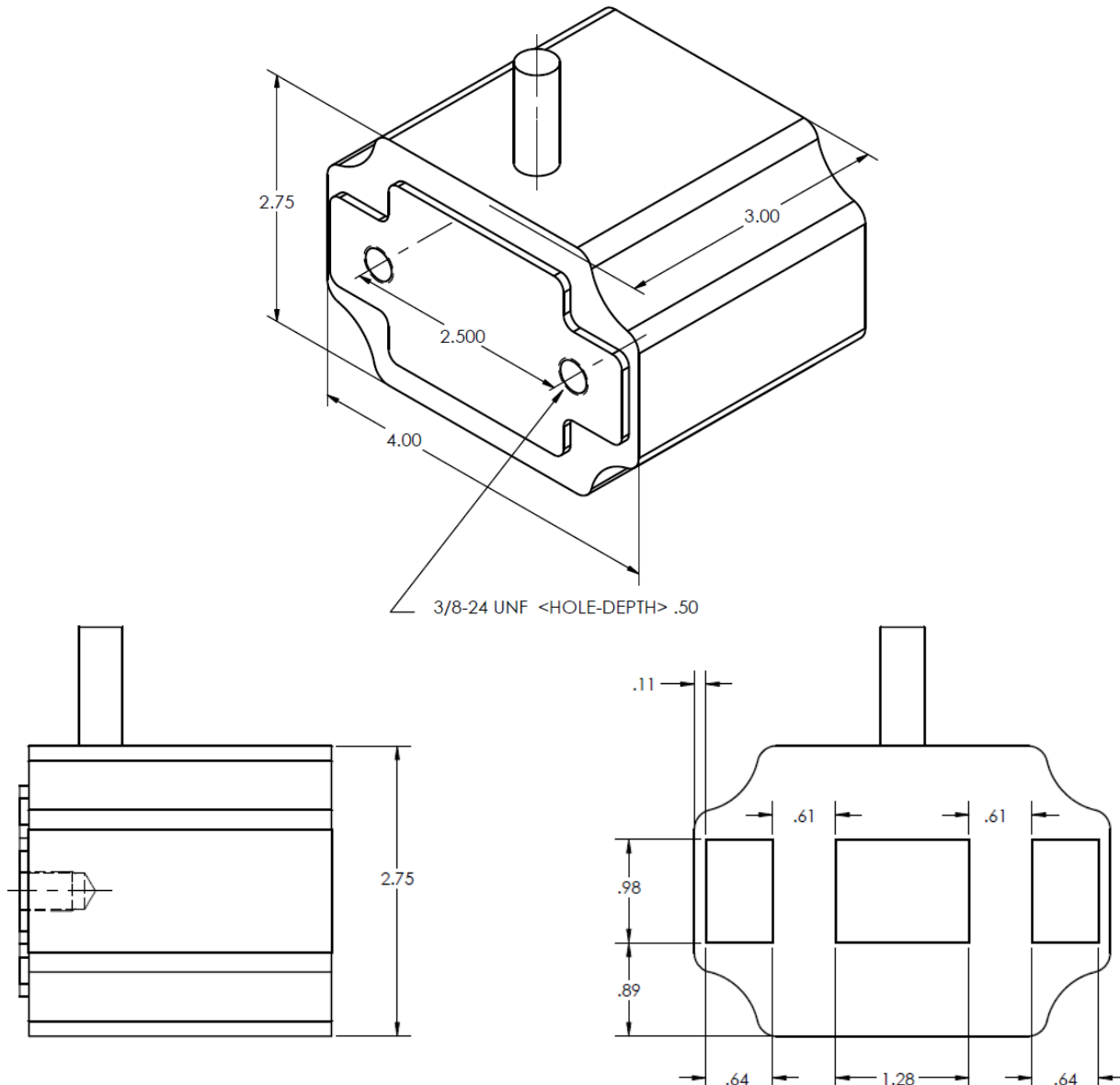
Part Number: 006-042-0088

Description: Coil, Large (12" & 15" Drives), 240V, with 5' yellow cord

Specifications

Input Voltage:	240 VAC	Product Weight:	5 lbs
Recommended Max Current:	0.9 Amps	Country of Origin:	USA
Typical Resistance (L-N):	15.4 Ω	Certifications:	UL/cUL
Mounting Hole Tap Size:	3/8-24 UNF	Max Temperature:	180 °F
			(as measured externally)

Dimensional Drawing for P/N 006-042-0088



All dimensions are shown in inches unless otherwise specified