



# RODIX, Inc.

Toll Free (800) 562-1868, Fax (815) 316-4701  
E-mail us today at [custserve@rodix.com](mailto:custserve@rodix.com)  
[www.rodix.com](http://www.rodix.com)

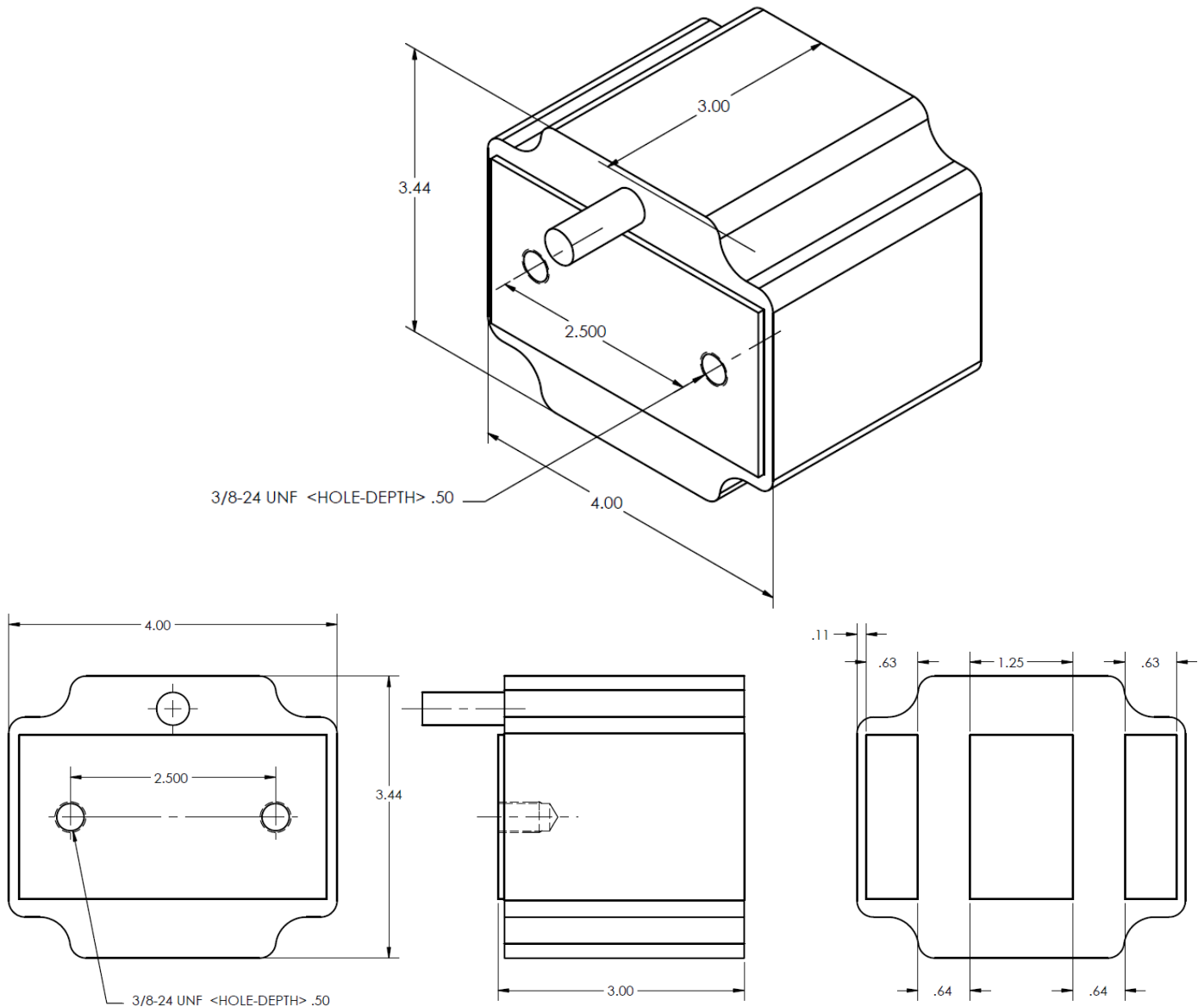
**Part Number: 006-042-0089**

**Description: Coil, Ex-Large (18" to 36" Drives), 240V, with 5' yellow cord**

## Specifications

Input Voltage:	240 VAC	Product Weight:	8 lbs
Recommended Max Current:	1.9 Amps	Country of Origin:	USA
Typical Resistance (L-N):	7 $\Omega$	Certifications:	UL/cUL
Mounting Hole Tap Size:	3/8-24 UNF	Max Temperature:	180 °F (as measured externally)

## Dimensional Drawing for P/N 006-042-0089



All dimensions are shown in inches unless otherwise specified