



RODIX, Inc.

Toll Free (800) 562-1868, Fax (815) 316-4701
E-mail us today at custserve@rodix.com
www.rodix.com

Part Number: 006-042-0120

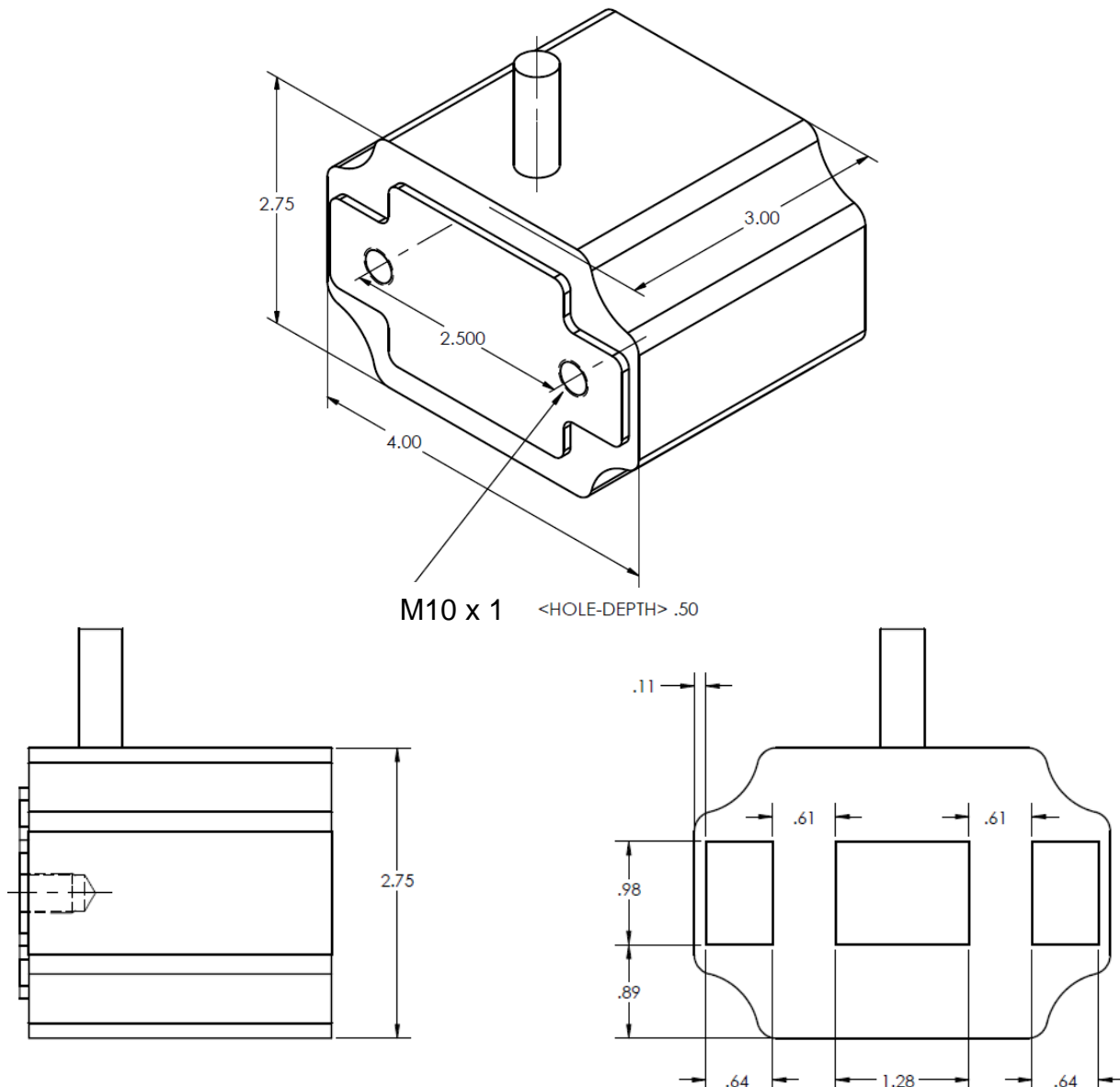
Description: Coil, Large (12" & 15" Drives), Metric, 120V, with 5' gray cord

Specifications

Input Voltage: 120 VAC
Recommended Max Current: 2.4 Amps
Typical Resistance (L-N): 2.8 Ω
Mounting Hole Tap Size: M10 x 1

Product Weight: 5 lbs
Country of Origin: USA
Certifications: UL/cUL
Max Temperature: 180 °F
(as measured externally)

Dimensional Drawing for P/N 006-042-0120



All dimensions are shown in inches unless otherwise specified