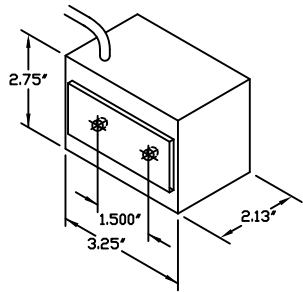
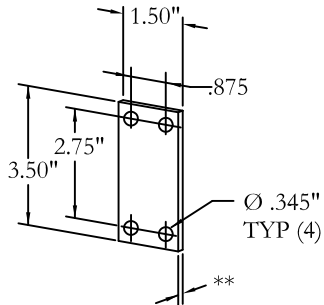
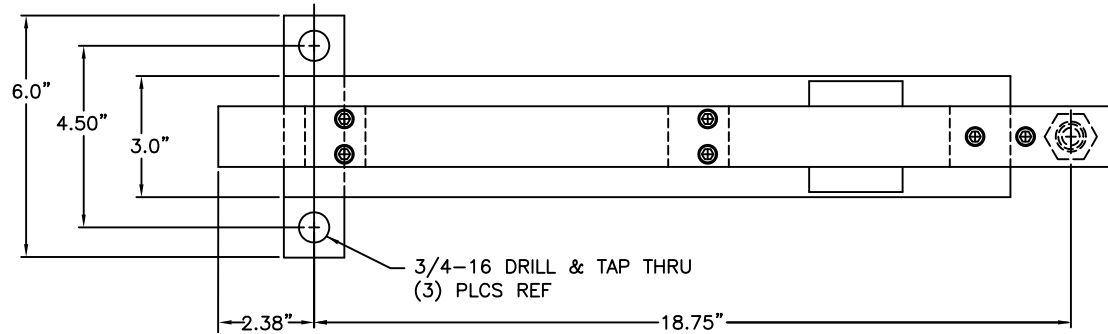


Standard Inline 3 Hanger Inline with Fiberglass Springs

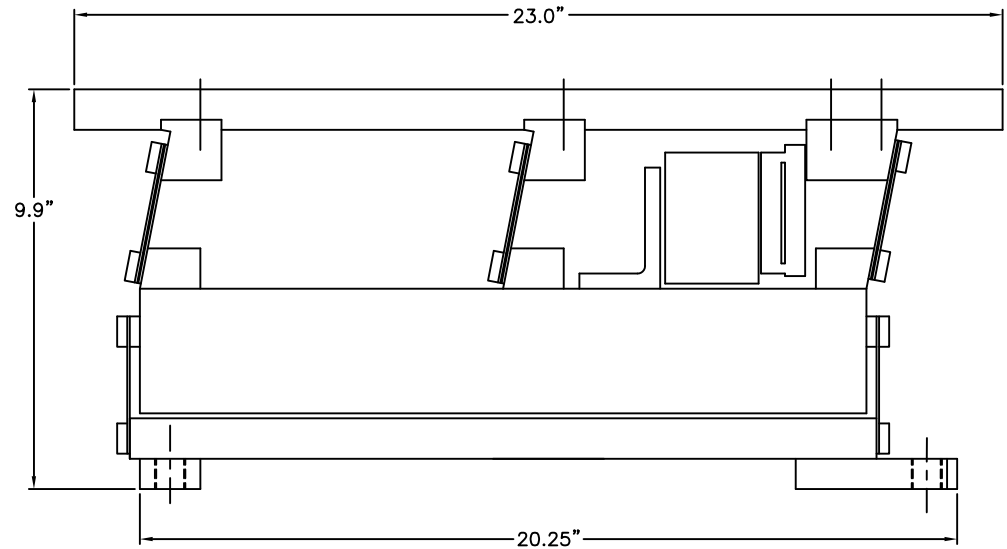
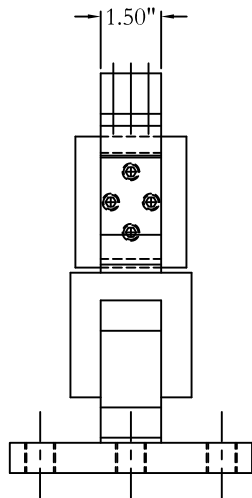
Models: 7-164 (120 VAC) & 7-165 (240 VAC)



Standard Multi-Hanger Inline Coil
 120 VAC = P/N 6-42-124
 240 VAC = P/N 6-42-125



Std Multi-Hanger Inline Spring
 Fiberglass
 **.094 Thk = P/N 90-1-17
 .125 Thk = P/N 90-1-18



- Coils:
 120 VAC: P/N 6-42-124
 240 VAC: P/N 6-42-125
 Jack Screw: P/N 8-65-03
 Fiberglass Springs:
 Upper = P/N 90-1-17 = .094 Thk
 Lower = P/N 90-1-18 = .125 Thk
 Fiberglass Spacer: P/N 88-3-120

Drawing has no scale

Models 7-164 & 7-165
 Track Length: 23"- 35"

Track weight limitations: 48 lbs max Ideal weight: 24 lbs
 Height Adjustment Using Jack Screws = 10.5" - 12.5"
 Electrical Power: 7-122: 120 Volts, 50/60 Hz, 2 Amps
 7-146: 240 VAC, 50/60 Hz, 1 Amp
 Unit Weight: 73 Lbs



Rodix, Inc. 2316 23rd Ave.
 Rockford, IL 61104-7337
 Ph. (800) 562-1868 Fax (815) 316-4701
 www.rodix.com