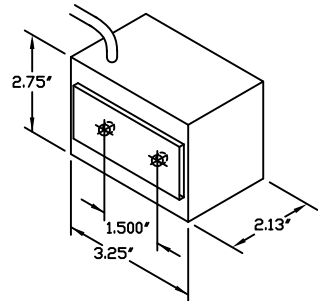
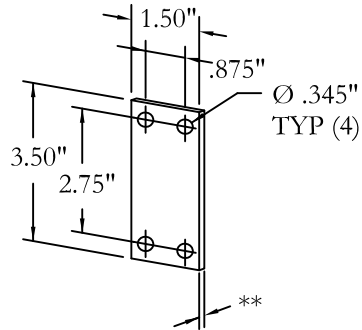


Standard Inline - 2 Hanger Inline with Fiberglass Springs

Models: 7-166 (120 VAC) & 7-175 (240 VAC)



Standard Multi-Hanger Inline Coil
 120 VAC = P/N 6-42-124
 240 VAC = P/N 6-42-125

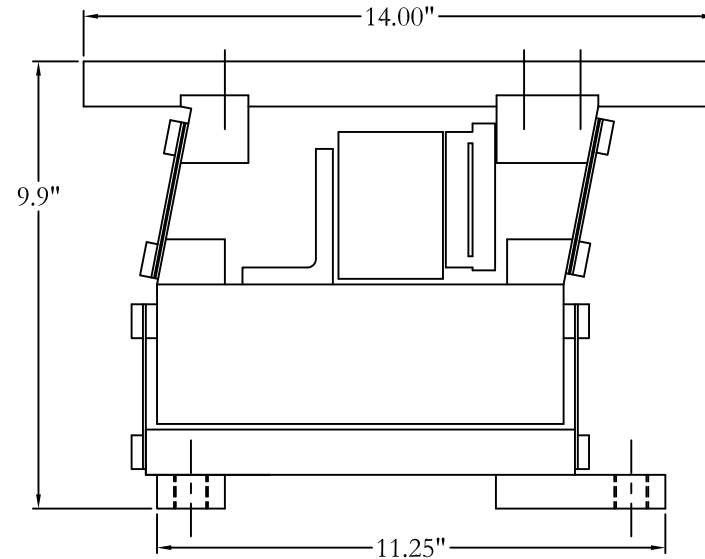
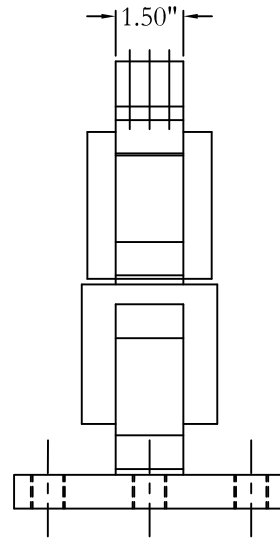
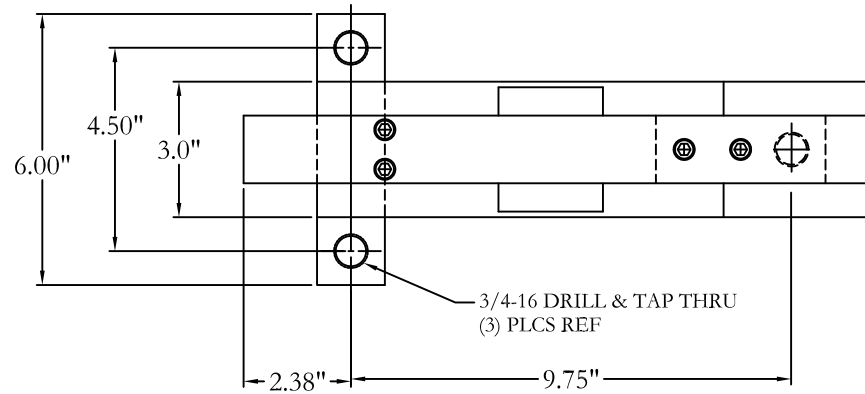


Standard Multi-Hanger Inline Spring
 Fiberglass
 ** .094 Thk = P/N 90-1-17
 .125 Thk = P/N 90-1-18

Coils:
 120 VAC: P/N 6-42-124
 240 VAC: P/N 6-42-125
 Jack Screw: P/N 8-65-03

Fiberglass Springs:
 Upper = P/N 90-1-17 = .094 Thk
 Lower = P/N 90-1-18 = .125 Thk
 Fiberglass Spacer: P/N 88-3-120

Drawing has no scale



Models 7-166 & 7-175
 Track Length: 14" - 26"

Track weight limitations: 25 lbs max, Ideal Weight: 12.5 lbs
 Height Adjustment Using Jack Screws: 10.5" to 12.5"
 Electrical power: 7-120: 120 Volts, 50/60 Hz, 2 Amps
 7-145: 240 Volts, 50/60 Hz, 1 Amp
 Unit Weight 44 lbs



Rodix, Inc. 2316 23rd Ave.
 Rockford, IL 61104-7337
 Ph. (800) 562-1868 Fax (815) 316-4701
 www.rodix.com