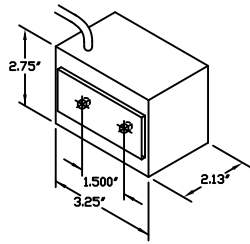
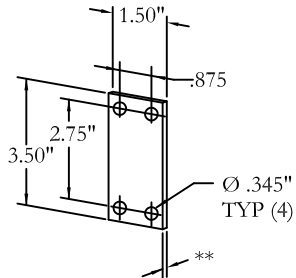


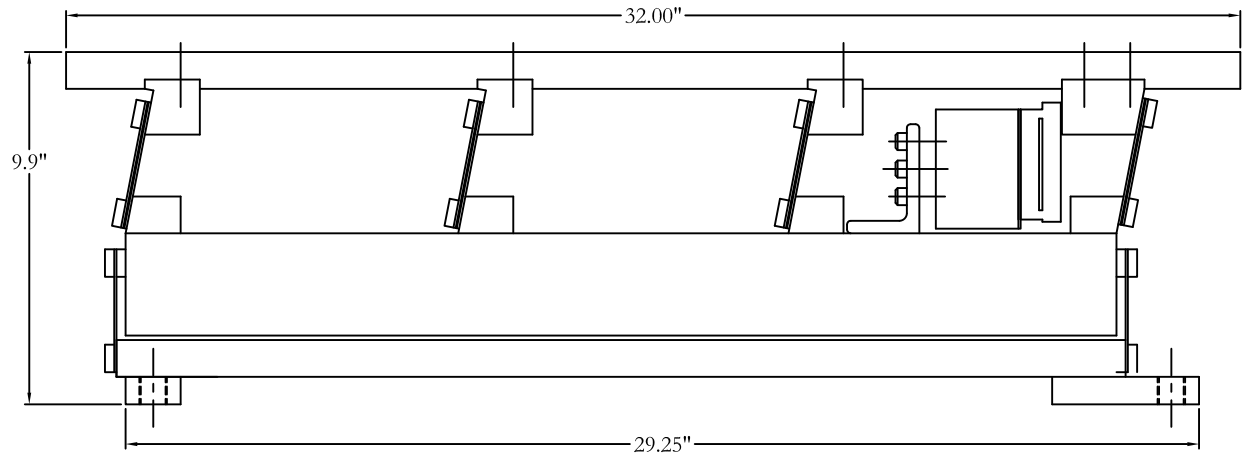
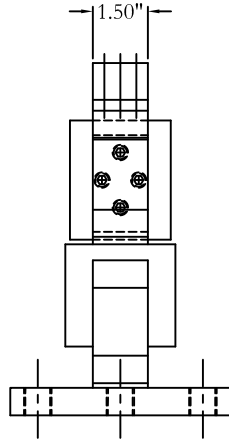
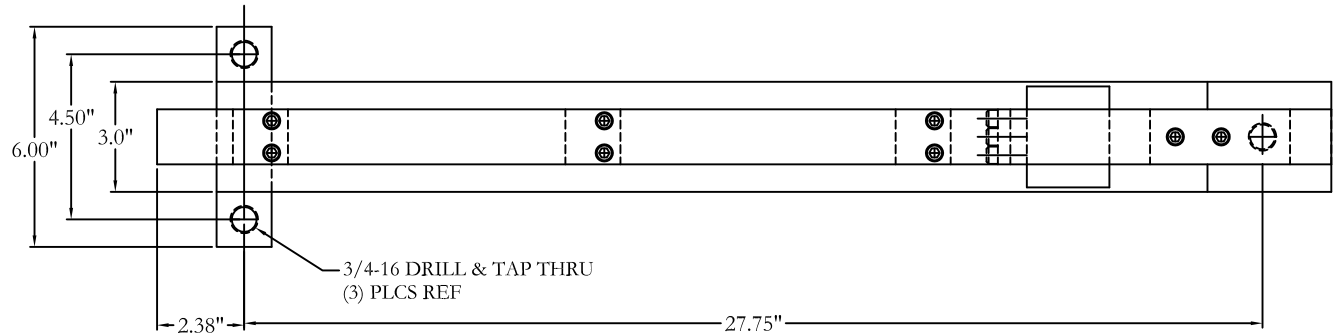
# Standard Inline 4 Hanger Inline with Fiberglass Springs Models 7-173 (120 VAC) & 7-174 (240 VAC)



Standard Multi-Hanger Inline Coil  
120 VAC = P/N 6-42-124  
240 VAC = P/N 6-42-125



Std Multi-Hanger Inline  
Fiberglass Springs  
\*\* .094 Thk = P/N 90-1-17  
.125 Thk = P/N 90-1-18



Drawing has no scale

Coils:  
120 VAC: P/N 6-42-124  
240 VAC: P/N 6-42-125  
Jack Screw: P/N 8-65-03  
Fiberglass Springs:  
Upper = P/N 90-1-17 = .094 Thk  
Lower = P/N 90-1-18 = .125 Thk  
Fiberglass Spacer: P/N 88-3-120

Models 7-173 & 7-174  
Track Length: 32"-44"

Track weight limitations: 71 lbs max Ideal Weight: 35.5 lbs  
Height Adjustment Using Jack Screws - 10.5" to 12.5"  
Electrical power: 7-124: 120 Volts, 50/60 Hz, 2 Amps  
7-147: 240 Volts, 50/60 Hz, 1 Amp  
Unit Weight 102 lbs



Rodix, Inc. 2316 23rd Ave.  
Rockford, IL 61104-7337  
Ph. (800) 562-1868 Fax (815) 316-4701  
www.rodix.com