

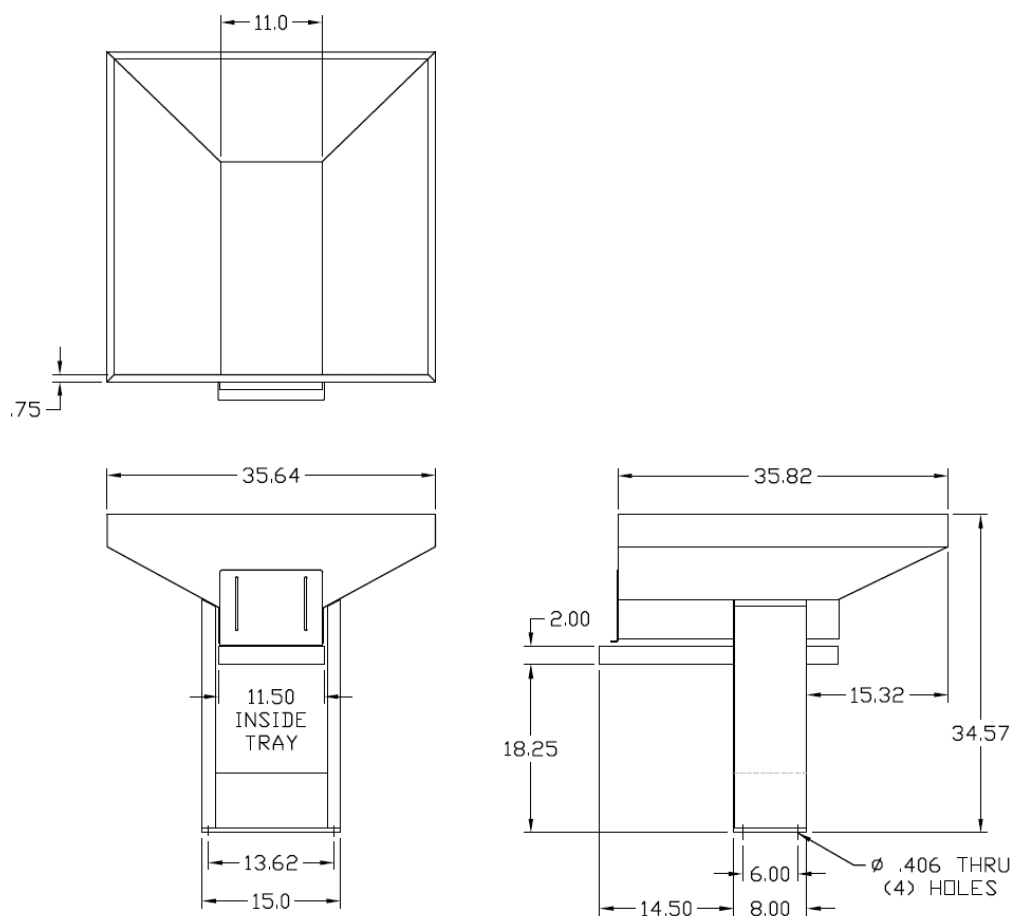


## CONTROL PRODUCTS FOR INDUSTRY

### 6 CUBIC FOOT STRAIGHT FRONT VIBRATORY HOPPER

|                                                      |                  |
|------------------------------------------------------|------------------|
| 11 ga C.R.S. with Primed Finish, 120V Coil installed | P/N 026-500-0163 |
| 11 ga C.R.S. with Primed Finish, 240V Coil installed | P/N 026-550-0163 |
| 304 S.S. with Bead Blast Finish, 120V Coil installed | P/N 026-500-0165 |
| 304 S.S. with Bead Blast Finish, 240V Coil installed | P/N 026-550-0165 |

Our hoppers are manufactured using the finest materials and components and are delivered beautifully finished, assembled, and ready for installation.



Dimensions are for reference only

Optional: Photoelectric Parts Level Sensor P/N [111-000-0521](#)

For special hopper sizes, styles, 316 SS or other special requests, please call or email today for a quote.  
Pricing is available by registering at [www.rodix.com](http://www.rodix.com)